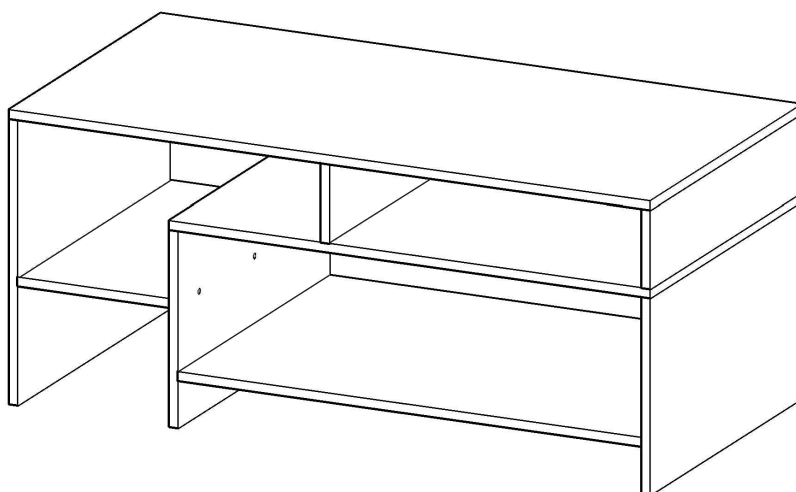
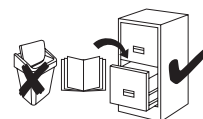
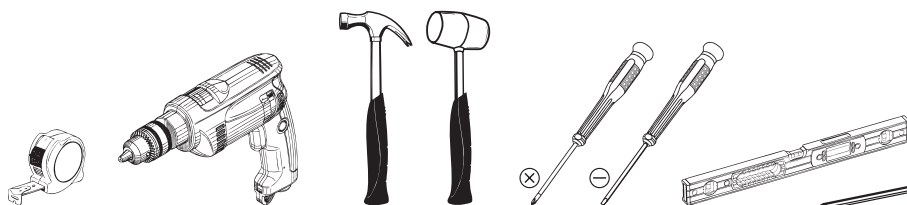


# E

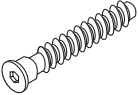




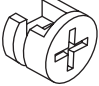
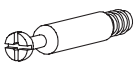
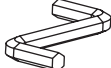



E - 1200 mm / 600 mm / 528 mm

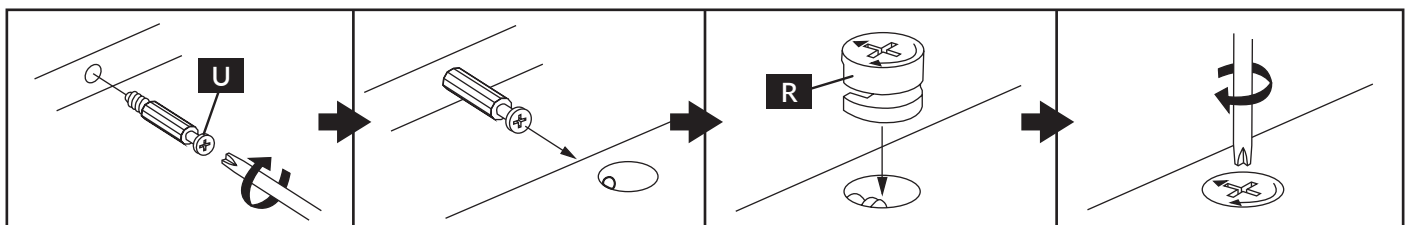
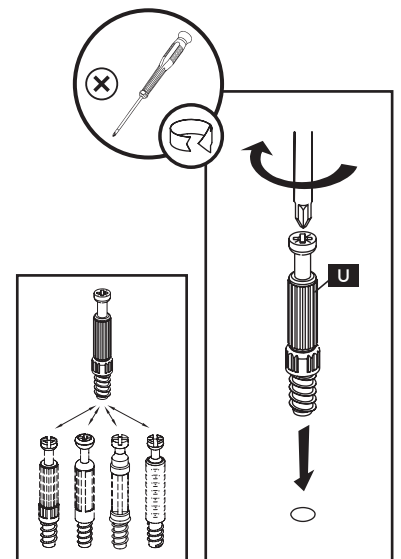


 120 min.



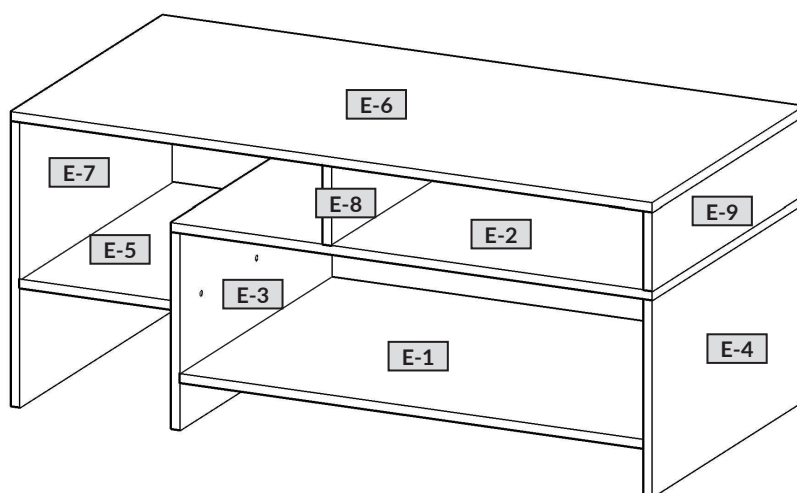
# E:

<b>A</b>  7 x 50 mm x 6	<b>B</b>  8 x 32 mm x 21	<b>B3</b>  8 x 50 mm x 3	<b>E2</b>  3 x 20 mm x 4	<b>G2</b>  x 6	<b>R</b>  H=11 mm x 14
<b>U</b>  L=24,3 mm x 14	<b>XA</b>  x 1	<b>XG</b>  GLUE x 1	<b>ZA</b>  Ø 4 x 6	<b>ZR</b>  Ø 15 x 14	

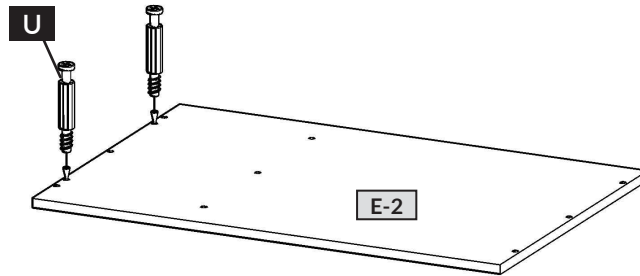
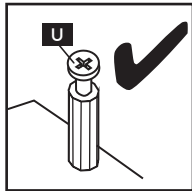
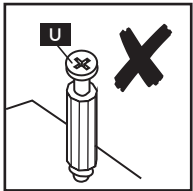
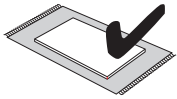
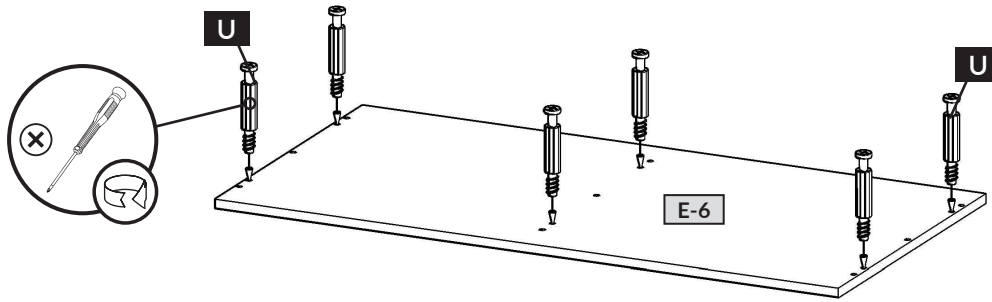


1	E-1	868 / 600 / 16 mm	x 1
2	E-2	900 / 600 / 16 mm	x 1
3	E-3	350 / 60 / 16 mm	x 1
4	E-4	350 / 60 / 16 mm	x 1
5	E-5	284 / 600 / 16 mm	x 1

6	E-6	1200 / 600 / 16 mm	x 1
7	E-7	506 / 600 / 16 mm	x 1
8	E-8	140 / 600 / 16 mm	x 1
9	E-9	140 / 600 / 16 mm	x 1

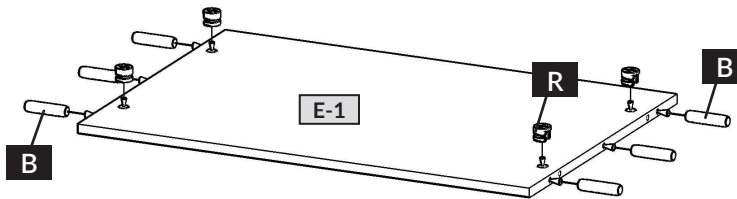
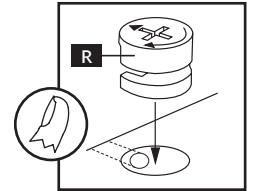
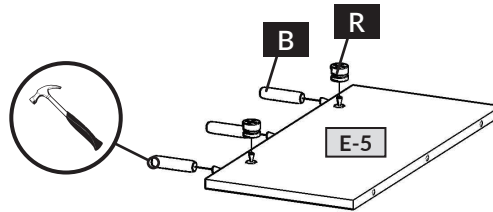


# E / 1

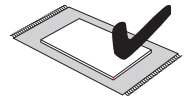


U	x 8
---	-----

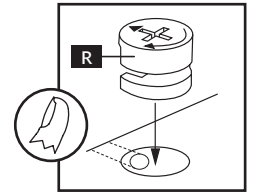
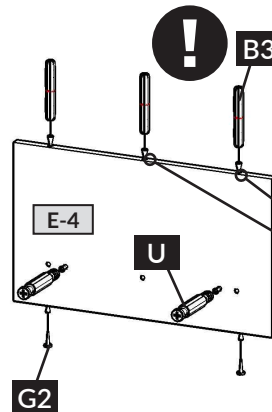
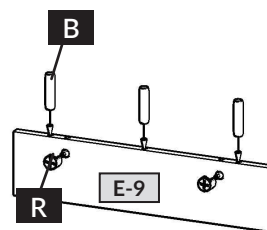
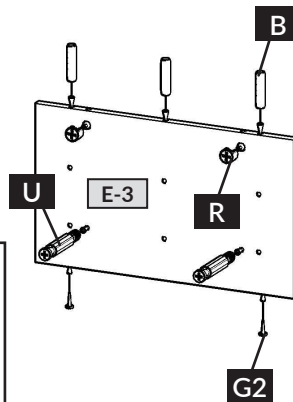
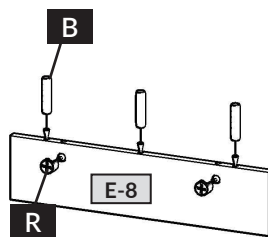
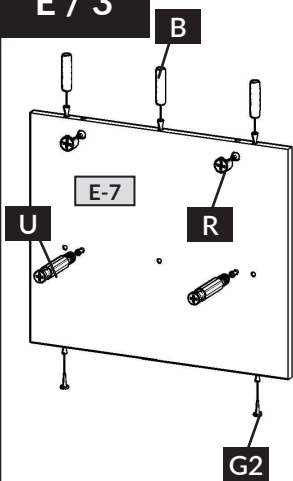
# E / 2



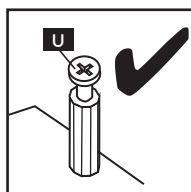
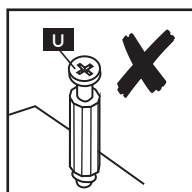
B	x 9
R	x 6



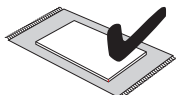
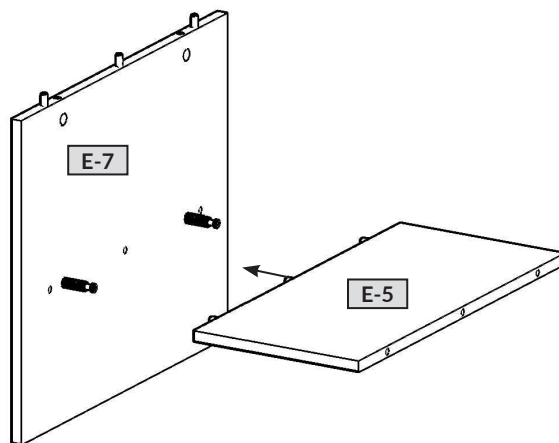
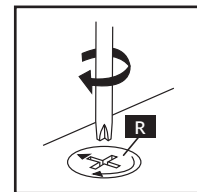
# E / 3



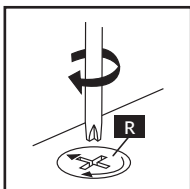
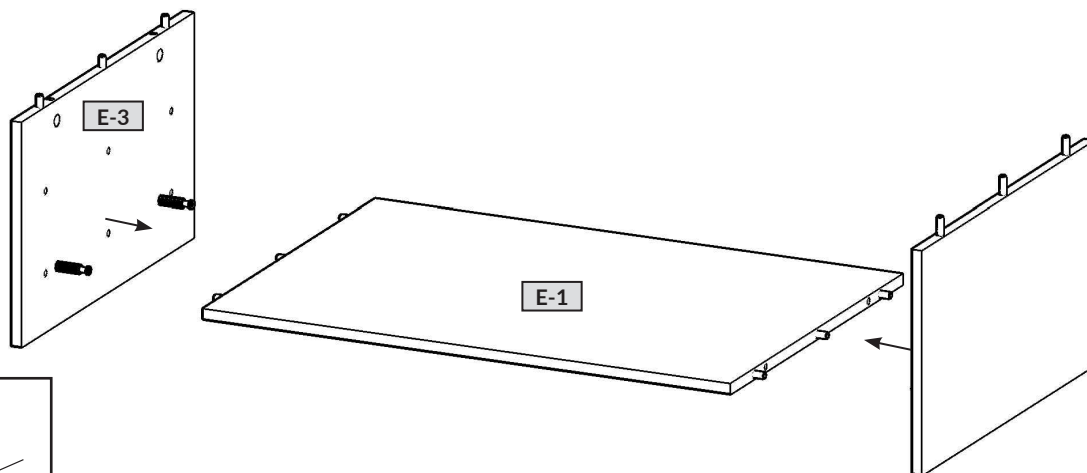
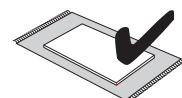
B	x 12
B3	x 3
G2	x 6
R	x 8
U	x 6
XG	x 1



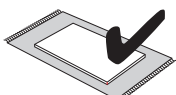
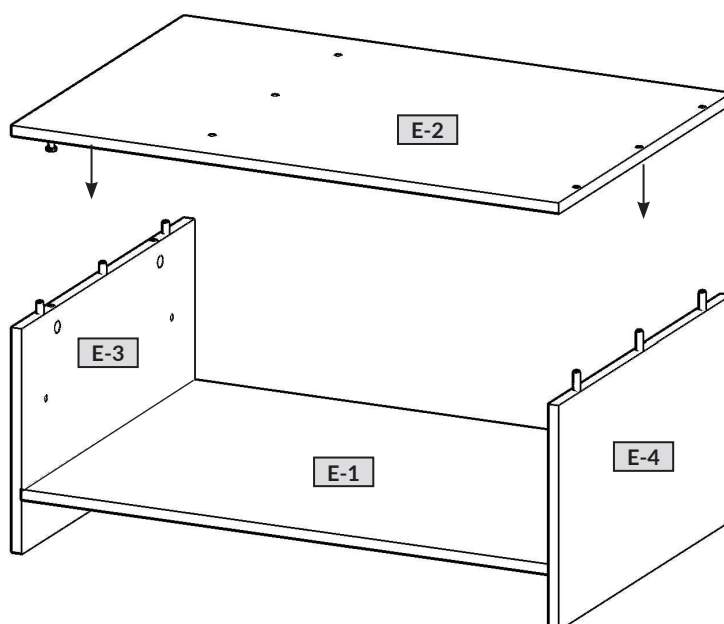
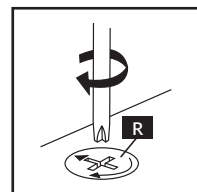
E / 4



E / 5

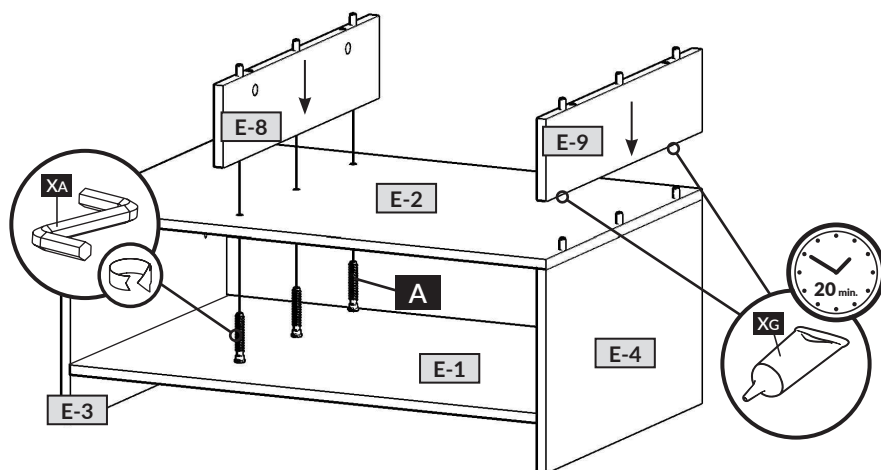


E / 6



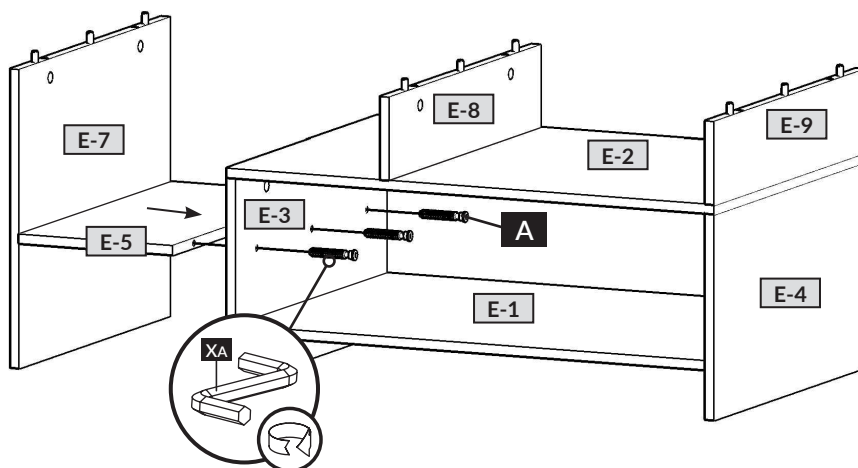
# E / 7

A	x 3
XA	x 1
XG	x 1



# E / 8

A	x 3
XA	x 1



# E / 9

ZA	x 6
ZR	x 14

